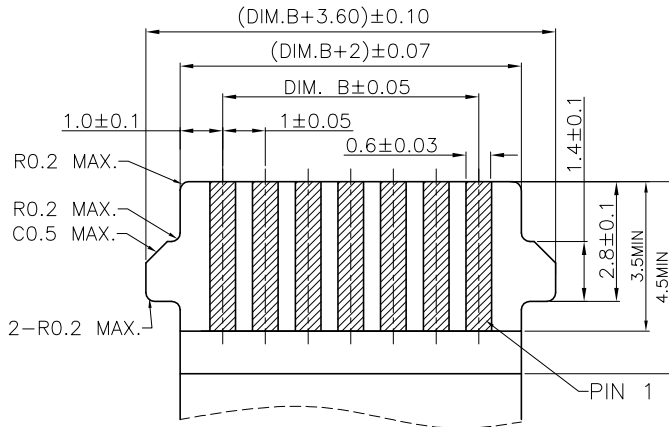


RECOMMENDED PCB LAYOUT



(THICKNESS:0.3±0.05)

- NOTES:
- MATERIAL:
 - HOUSING: THERMOPLASTIC, HIGH TEMP., UL94V-0;
 - CONTACT: COPPER ALLOY
 - FITTING NAIL: COPPER ALLOY
 - ACTUATOR: THERMOPLASTIC, HIGH TEMP., UL94V-0;
 - FINISH:
 - CONTACT:
 - 50u" MIN. NICKEL UNDERPLATING OVERALL.
 - N:120u" MIN. MATT TIN PLATING
 - 1:GOLD FLASH PLATING
 - B:5U" GOLD PLATED ON CONTACT AND GOLD FLASH ON SOLDER TAIL AREA
 - A:3U" GOLD PLATED ON CONTACT AND GOLD FLASH ON SOLDER TAIL AREA
 - FITTING NAIL:
 - 50u" MIN. NICKEL UNDERPLATING OVERALL.
 - N:120u" MIN. MATT TIN PLATING
 - 1:GOLD FLASH PLATING
 - REFLOW SOLDER CAPABLE TO 260°C PER ACES SPEC.
 - SPEC. PLS. REFER TO PS-50523-XXXX-XXX
 - PACKAGE PLS. REFER TO 91509-XXXX-TRP;
 - PART NUMBER

50524-XXX X X-XXX

NO OF CKT

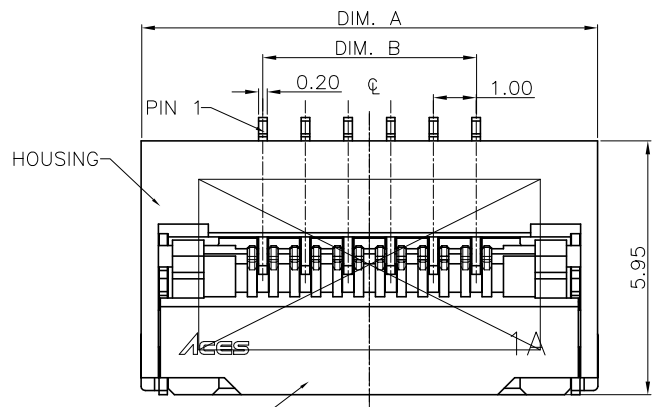
XXX	Housing Color	Actuator Color	Halogen free	Packing
001	NATURAL	BLACK	HF	91509-XXXX-TRP

PACKING

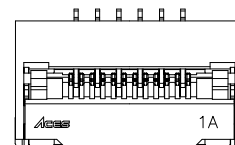
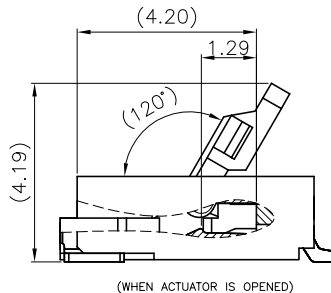
- 0:TAPE & REEL
- 1:TUBE
- 4:TAPE & REEL With Mylar
- 5:TUBE With Mylar

PLATING

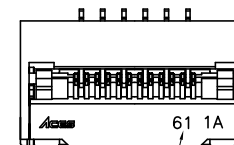
- 1: GOLD FLASH PLATED ON CONTACT AND SOLDER TAIL AREA
- N: MATT TIN(LEAD FREE)
- B: 5U" GOLD PLATED ON CONTACT
- A: 3U" GOLD PLATED ON CONTACT



ACTUATOR

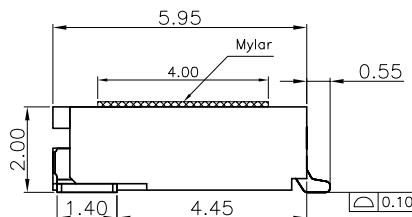
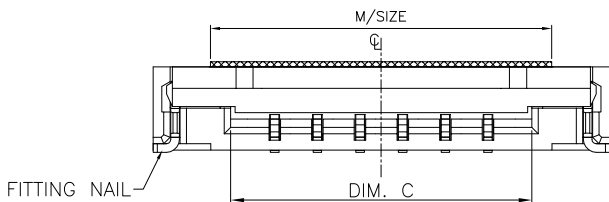


OTHERS



FOR:30PIN

CKT	DIM A	DIM B	DIM C	M/Size	Mylar
4	8.70	3.00	5.06	8.00	W8T12-91508
6	10.70	5.00	7.06		
10	14.70	9.00	11.06	12.00	WCT12-91508
25	29.70	24.00	26.06		
30	34.70	29.00	31.06		
34	38.70	33.00	35.06	16.00	WFT12-91508



QUALITY SYMBOLS		DRAWN BY		DATE		ACES ELECTRONICS	
MAJOR	⊕	ZHOUQUAN		20/06/20			
CRITICAL	⊗	CHECKED BY					
GENERAL TOLERANCES (UNLESS SPECIFIED)		XUZHIYONG		20/06/20		TITLE	
		APPROVED BY		DATE		REV	
X. ±0.5 .X ±0.25 .XX ±0.15 .XXX ±0.1 ANGLES ±2°		XUZHIYONG		20/06/20		UNIT	
		UNITS		SIZE		RFQ NO.	
		mm		A4		NA	
		SCALE		SHEET NO.		PART NO.	
1:1		1 OF 1		REV		DWG NO.	
						50524-XXXX-XXX	